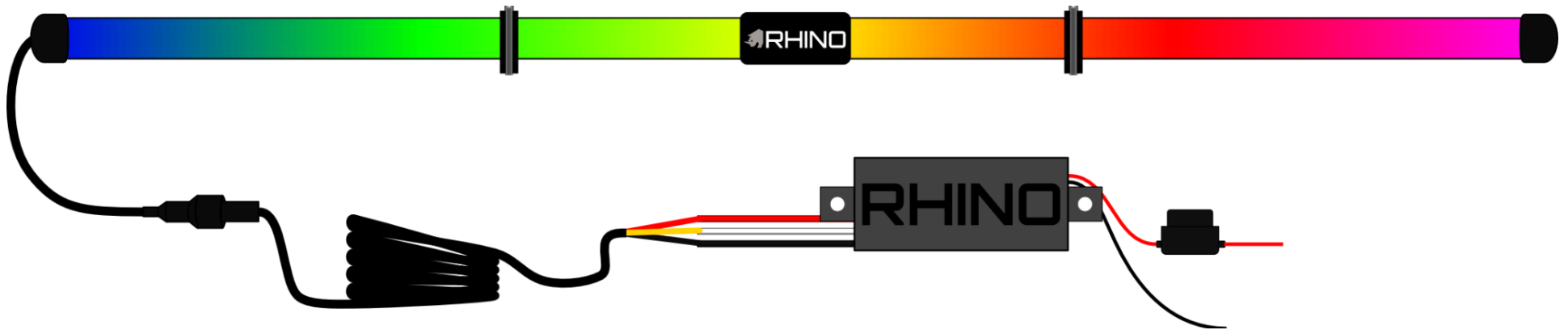


# RGB HORIZONTAL WHIP LIGHT WIRING GUIDE

**!!! READ BEFORE INSTALLATION !!!**

**FAILURE TO FOLLOW THE INSTRUCTIONS CAN RESULT IN DAMAGE TO THE PRODUCT AND VOIDING OF WARRANTY**

Read all instructions before installing the product. For detailed instructions and videos, visit <https://rhinoledlights.com/pages/help/install> or scan the QR code at the bottom.

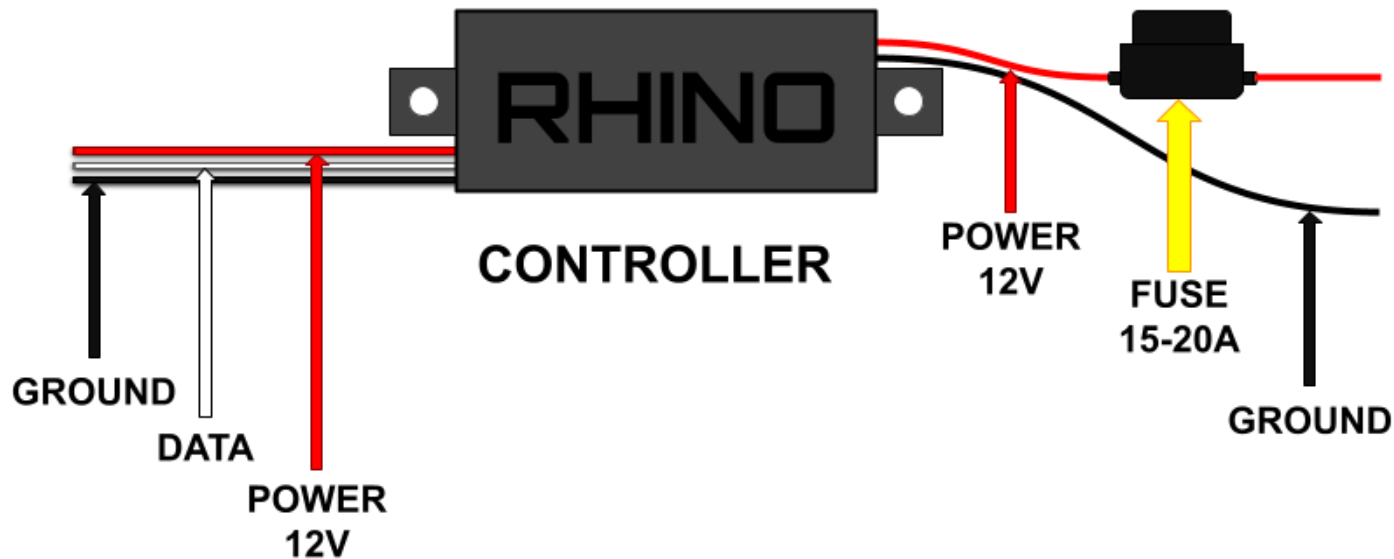


# Do **NOT** mount the controller near any heat source!

This will cause failure of the internal components. The ABS housing can withstand greater heat than the internal components. The controller is waterproof, but it does contain a microphone (used for music mode) that can be affected by mud/water, mount the controller in a place that will not become overly wet or muddy for best results using Music mode.

## Whip Installation Guidelines:

- Give enough slack for the pigtail to flex on the spring to avoid stretching the pigtail to the breaking point.
- Keep the whips safe from flexing into a cage or any hard objects to preserve the longevity of the whips.
- Cut the pigtail wire from whips to length before you connect to the controller for best performance.
- If attaching flags to your whips, use plastic zip ties to secure them and avoid overtightening them.
- Attach the whips to your vehicle with at least 2 rubber-lined clamps, evenly spaced apart.
- Ensure that the clamps hold tight onto the whip, but do not over-tighten them or damage to the LEDs is possible.
- Always check the clamps before every ride and adjust them as needed to keep the whip secure.
- Do **NOT** extend the whip wire over the 10 ft bundle supplied with the purchase of whips; doing so can reduce the data signal and cause flickering.



### Bluetooth Controller:

Our bluetooth controller works with all of our RGB or RGB+W products. (note: RGB and RGB+W lights cannot be used together on the same controller).

You only need **1** bluetooth controller to run multiple types and amounts of our RGB/RGB+W lights and sync them together. To control lights separately (color, pattern, etc.) another controller is required. Driver settings are:

**RGB+W:** RGB TM1814

**RGB:** GRB WS8211

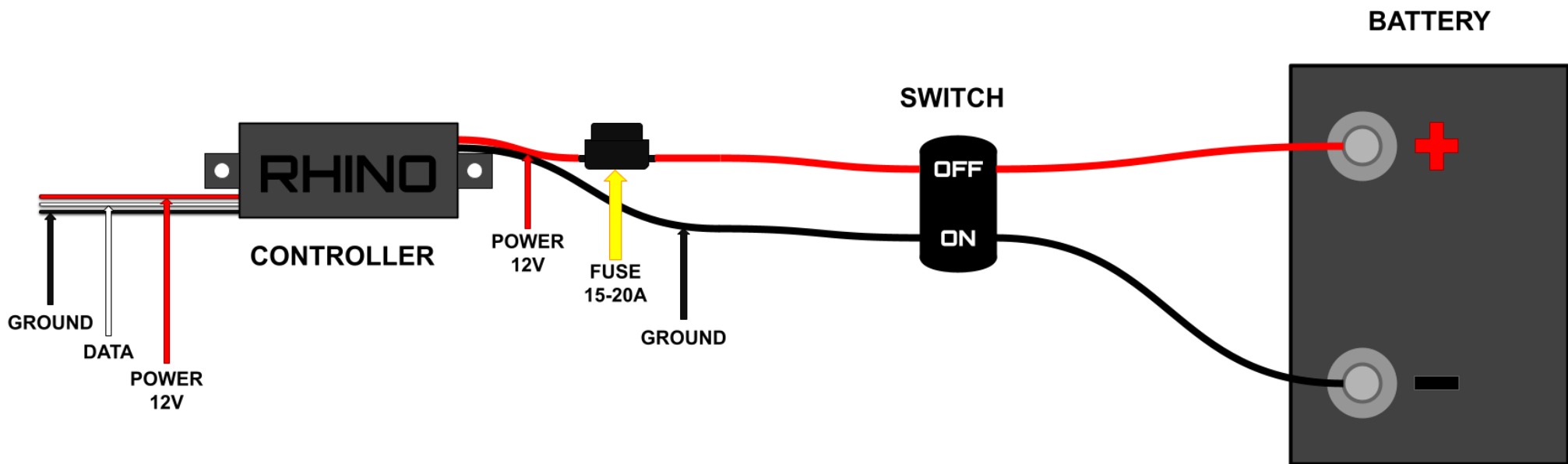
To download the LEDChord app, use the following QR codes:

**Android**



**iOS**





The controller, when connected directly to a power source, will constantly draw a small amount of power to broadcast its bluetooth signal.

**To prevent this from potentially draining batteries when not in use**, you can either disconnect the controller from the battery or install a single pole, single throw (SPST) switch to control power flow to the controller.

**Note: Switch pinouts may differ between brands and manufacturers, follow manufacturers' instructions for your specific switches when wiring and connecting them.**

## **PLEASE NOTE:**

**RGB, RGB+W, rock lights/whips/halos, and Diamond Duo rock lights cannot be intermixed.**

**Do not install wires in places they can become pinched or be stepped on.**

**When adding in wire for any reason, be sure to use the appropriate gauge for the load that it will carry.**

**Check the condition of all rock lights, wires, solder joints, and connections periodically for any damage. Damaged wires can lead to electrical shorts and arcing.**

**For safety, solder all ground wires and connections first, before working with any voltage-bearing wires. Be sure to keep any open wires away from each other when power is connected. If not using any wires with raw ends, it is highly recommended that you cap the ends of the wires to prevent any accidental risk of shorting the wires.**