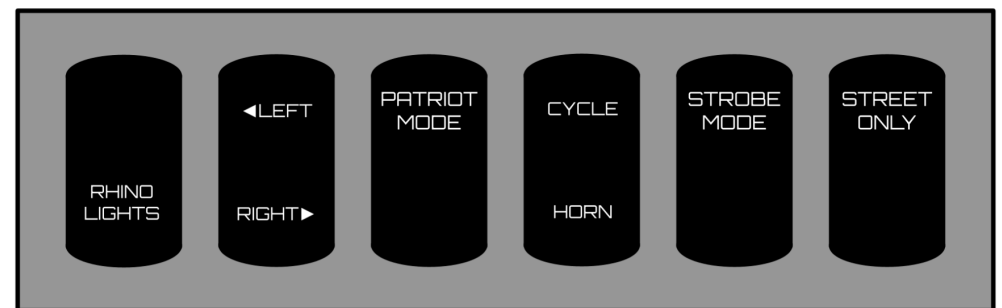
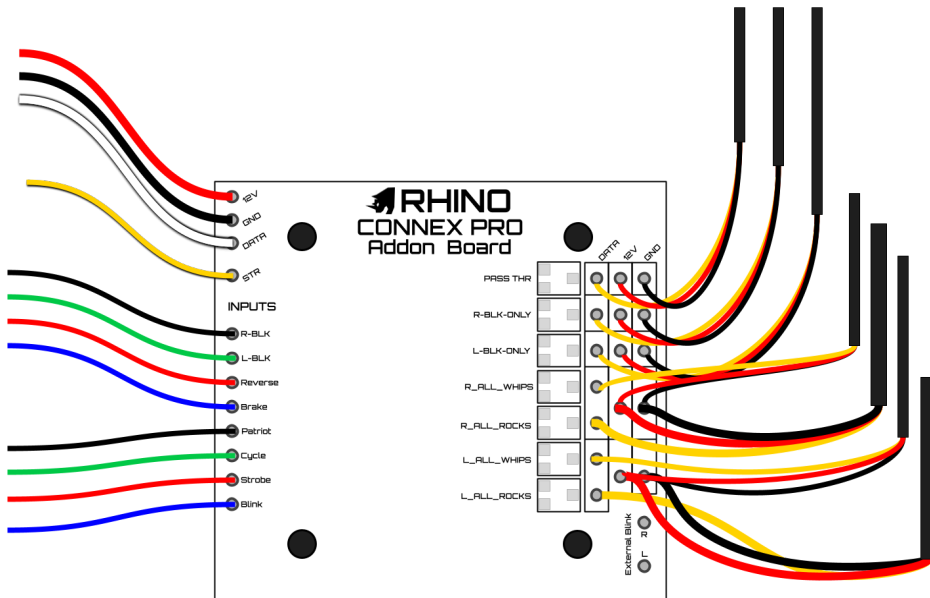


INSTALLATION GUIDE

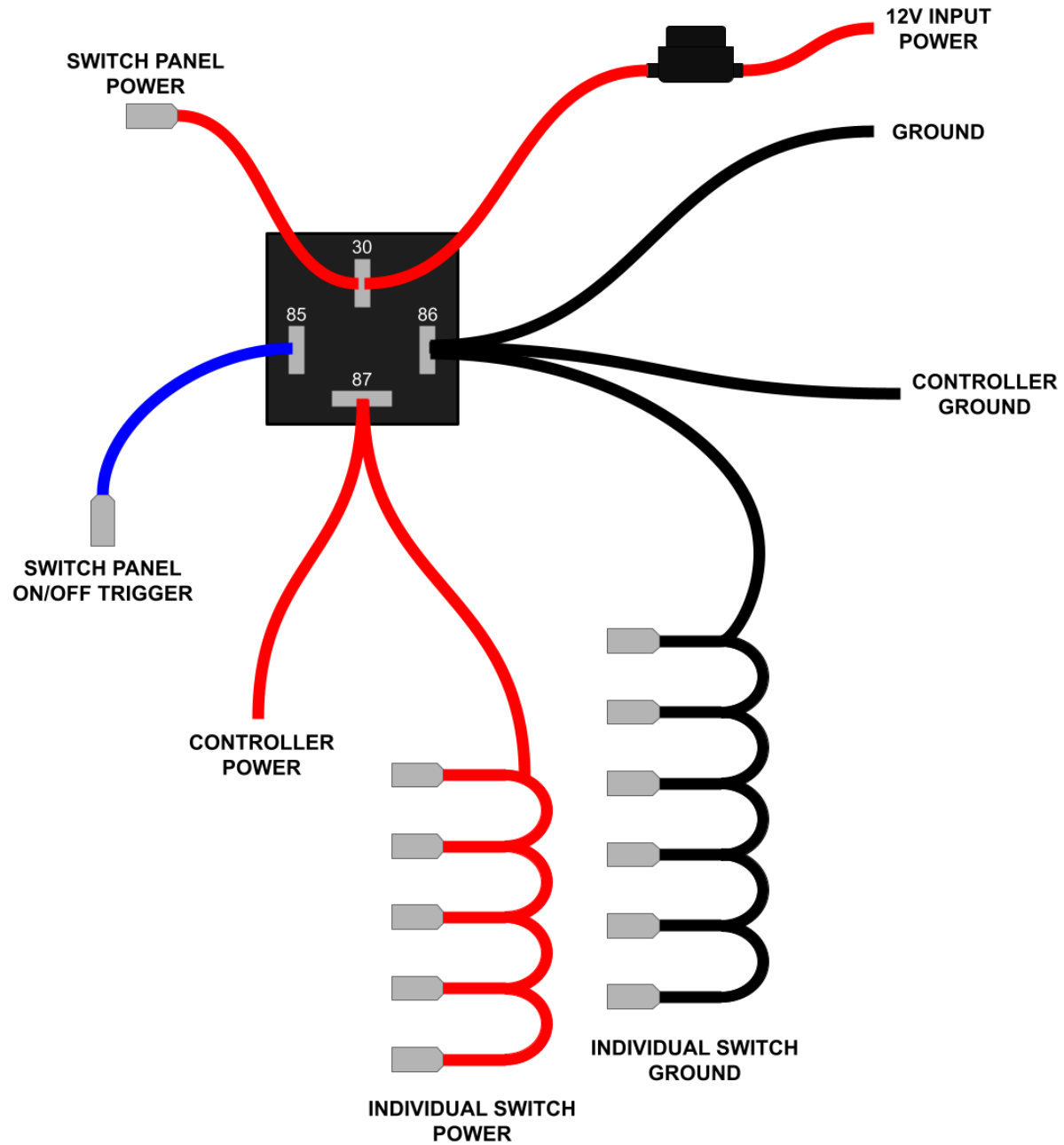
!!! READ BEFORE INSTALLATION !!!

FAILURE TO FOLLOW THE INSTRUCTIONS CAN RESULT IN DAMAGE TO THE PRODUCT AND VOIDING OF WARRANTY

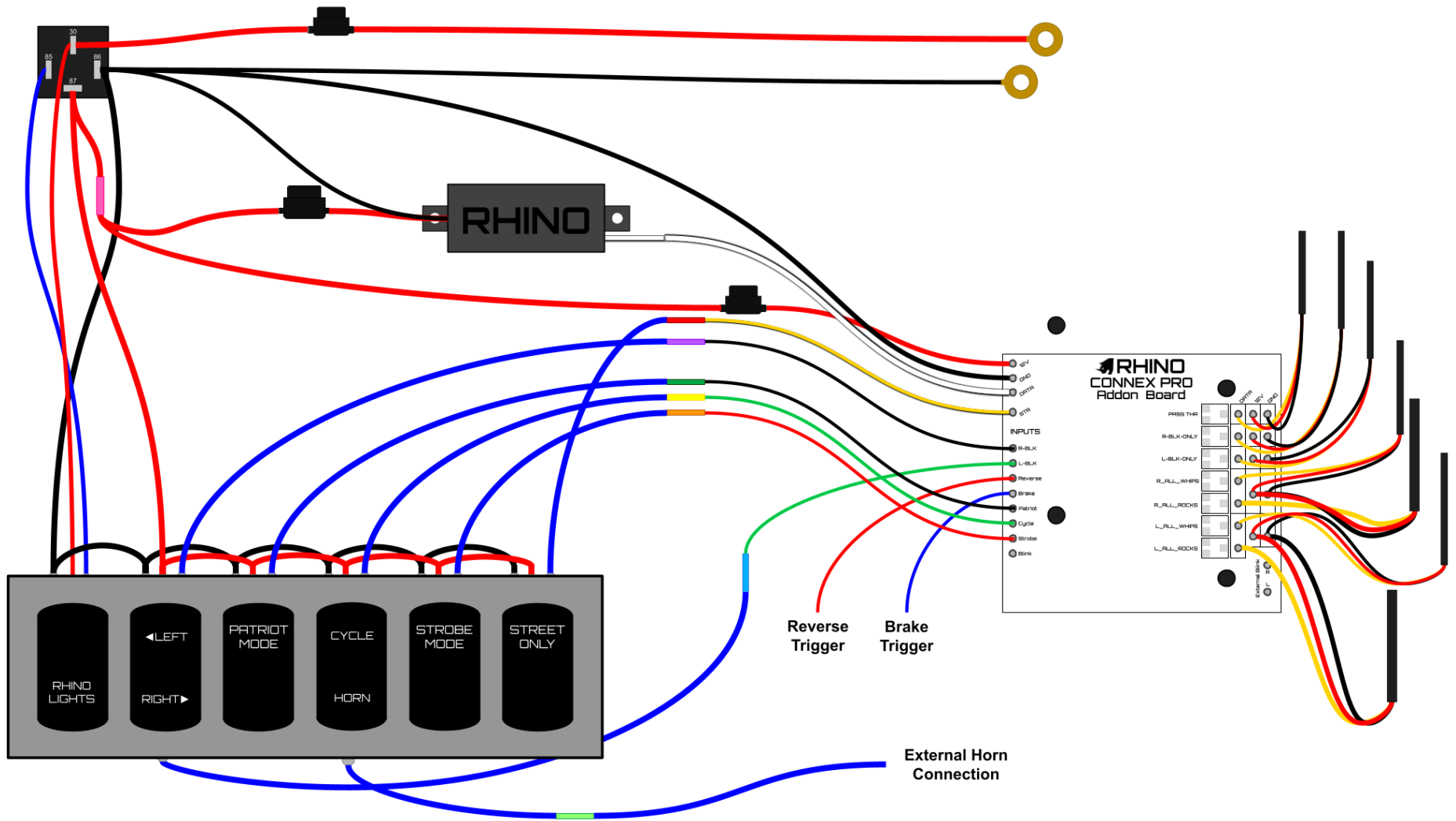
Read all instructions before installing the product. For detailed instructions and videos, visit <https://rhinoledlights.com/pages/help/install>



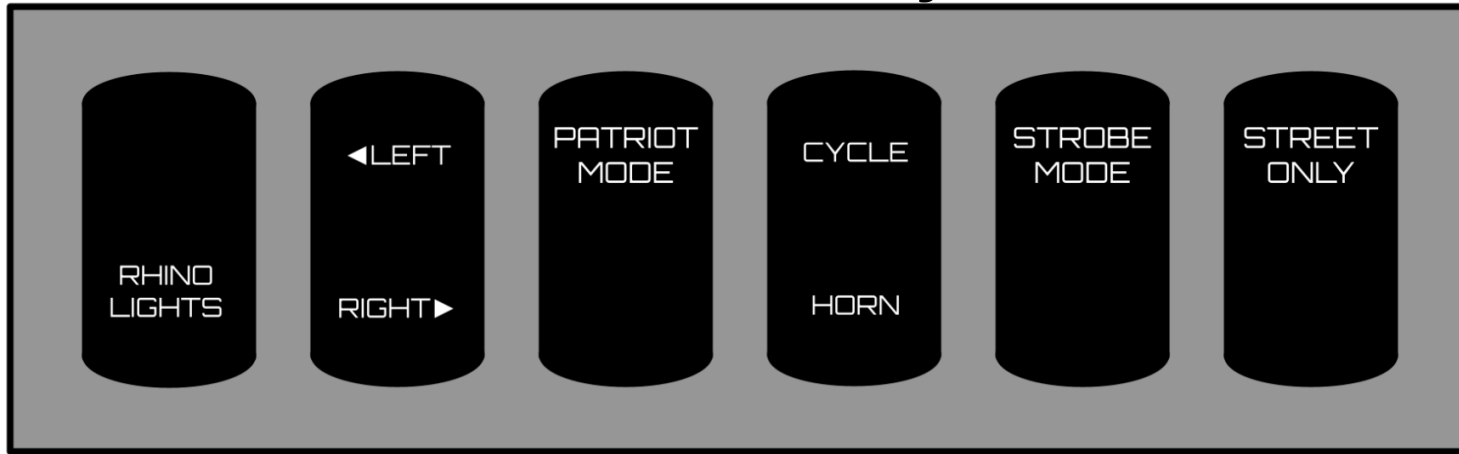
Wiring Harness Diagram



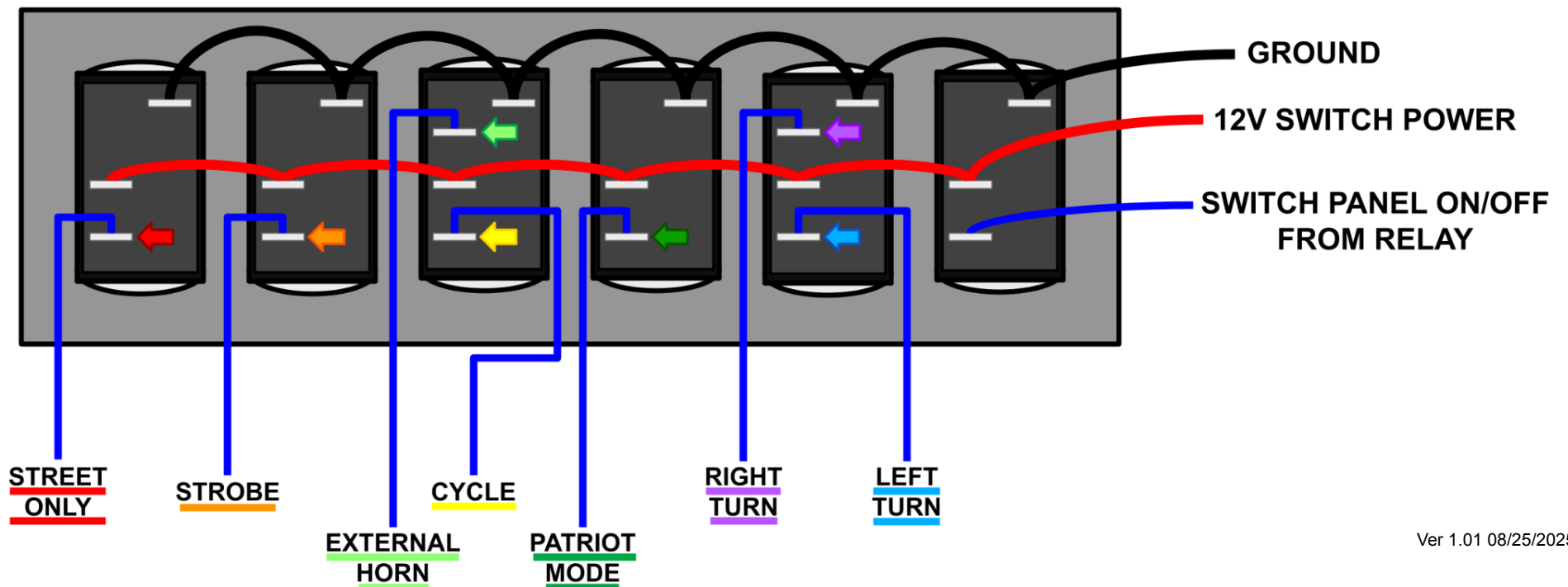
Complete Kit Wiring Diagram

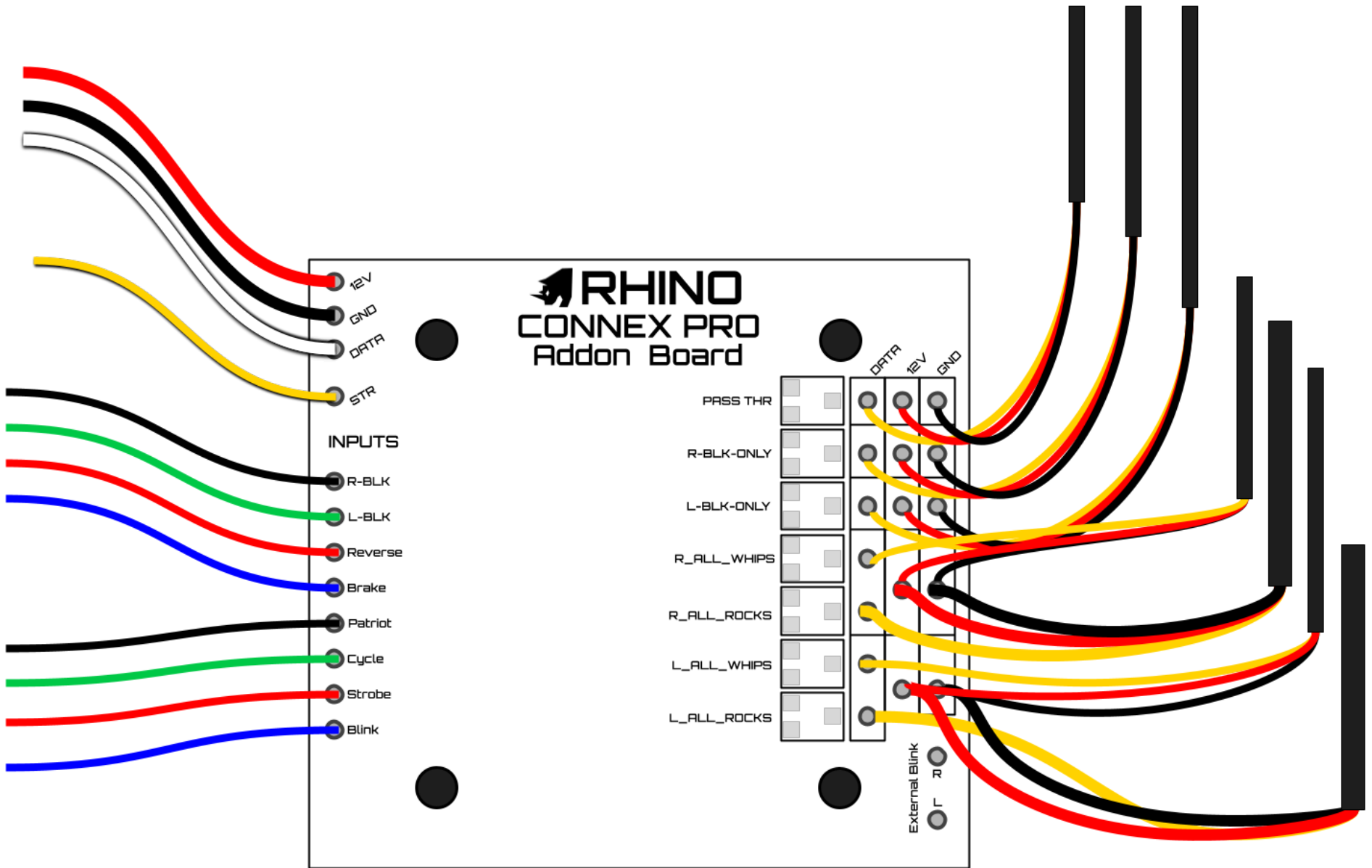


Switch Panel Layout



Note: The switch panel is flipped to show the wiring diagram as you would look at it to connect the wires. The wires and switches are color coded with swatches to make it easier to connect the wires to their corresponding switch. Simply match the color on the ends of the wires to avoid confusing which wire is connected to what.





CONNEX PRO Input Connections:

Input	Description	Switch Type
12V	Input Power	ON/OFF
GND	Ground	--
DATA	Data connection to controller	--
STR	Street Only mode trigger	ON/OFF
R-BLK	Right blinker trigger	ON/OFF/ON
L-BLK	Left blinker trigger	ON/OFF/ON
Reverse	Reverse trigger	--
Brake	Brake trigger	--
Patriot	Patriot mode trigger	ON/OFF
Cycle	Cycle colors in Patriot mode, strobe timing	Momentary
Strobe	Strobe light trigger	ON/OFF
Blink	External blinker module connection	--

S.O.S. mode is triggered when both PATRIOT and STROBE modes are ON. This mode alternates flashing colors on ALL channels. Use CYCLE to change the patterns available in S.O.S. mode.

Consult your vehicle's manufacturer wiring diagrams and manuals for connecting the Brake and Reverse lights.

CONNEX PRO Output Channels:

PASS THR	Pass-through channel Ignores triggers from Brake, Reverse, and Blink inputs and displays the color/pattern set by the controller. <u>Does</u> change for Patriot, Strobe, and SOS modes.
R-BLK-ONLY	Right blinker only output, intended for halo lights.
L-BLK-ONLY	Left blinker only output, intended for halo lights.
R_ALL_WHIPS	Right blinker, brake, and reverse output for whips.
R_ALL_ROCKS	Right blinker, brake, and reverse output for rock lights.
L_ALL_WHIPS	Left blinker, brake, and reverse output for whips.
L_ALL_ROCKS	Left blinker, brake, and reverse output for rock lights.
External Blink R	Relay trigger for external 12V LED lights for the right blinker.
External Blink L	Relay trigger for external 12V LED lights for the left blinker.

NOTE: The External Blink channels are only used to trigger relays. Do not exceed 4A for external LED lights, and do not power directly through the Connex Pro board. Connect the external outputs to a relay that is connected to the external lights to avoid damaging the system.

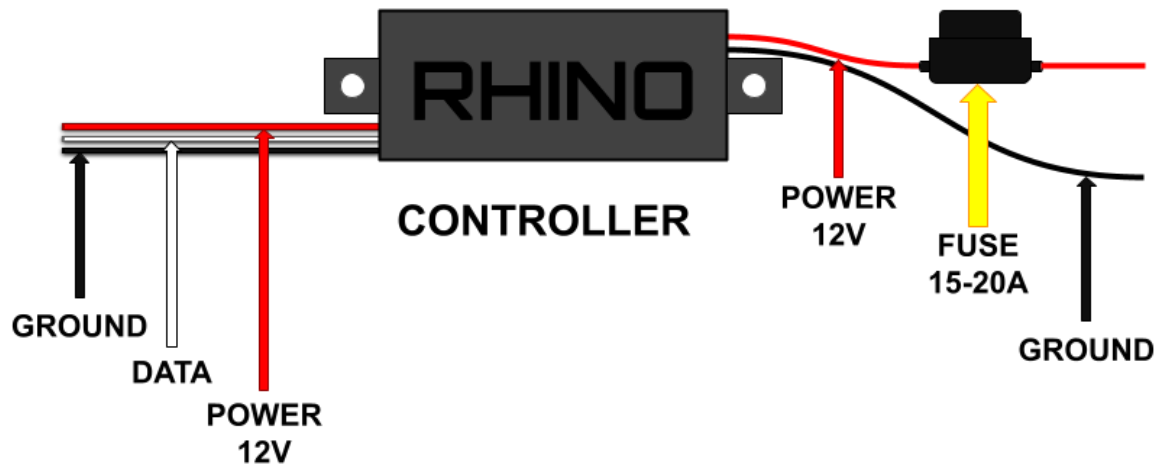
Do NOT mount the electronic components near ANY heat source!

This will cause failure of the internal components. The ABS housing can withstand greater heat than the internal components. The controller is waterproof, but it does contain a microphone (used for Music mode) that can be affected by mud/water. Mount the controller in a place that will not become overly wet or muddy for best results when using Music mode.

12V Voltage regulators **MUST** be used with any halo lights, no matter the channel they are connected to. Failure to do so will result in damage to the lights and void any warranty.

Be aware that Street Only mode triggers on the detection of any voltage. Voltage leaks in the vehicle circuitry can cause Street Only mode to trigger without the switch being thrown. If you have no output from the controller but any of the input triggers (blinkers, brakes, reverse, patriot) still work as normal, disconnect the trigger wire for Street Only mode and see if the lights work as normal.

Voltage leaks can be caused by damaged or corroded wiring, faulty components like the alternator, or issues with connections, such as loose terminals. Regularly check the condition of all connections and wires and replace any that are worn or damaged.



Bluetooth Controller:

Our bluetooth controller works with all of our RGB or RGB+W products. (note: RGB and RGB+W lights cannot be used together on the same controller).

You only need **1** bluetooth controller to run multiple types and amounts of our RGB/RGB+W lights and sync them together. To control lights separately (color, pattern, etc.) another controller is required.

Driver settings are:

RGB+W: RGB TM1814

RGB: GRB WS8211

To download the LEDChord app, use the following QR codes:

Android



iOS



PLEASE NOTE:

RGB, RGB+W, rock lights/whips/halos, Pod Lights, and Diamond Duo rock lights cannot be intermixed.

Pod Lights and Diamond Duo rock lights can be on the same switches so long as the current draw does not exceed the limits of the switch.

Do not install wires in places they can become pinched or be stepped on.

Check the condition of all rock lights, wires, solder joints, and connections periodically for any damage. Damaged wires can lead to electrical shorts and arcing.

For safety, solder all ground wires and connections first, before working with any voltage-bearing wires. Be sure to keep any open wires away from each other when power is connected. If not using any wires with raw ends, it is highly recommended that you cap the ends of the wires to prevent any accidental risk of shorting the wires.