

# RGB HALO WIRING GUIDE

**!!! READ BEFORE INSTALLATION !!!**

**FAILURE TO FOLLOW THE INSTRUCTIONS CAN RESULT IN DAMAGE TO THE PRODUCT AND VOIDING OF WARRANTY**

Read all instructions before installing the product. For detailed instructions and videos, visit <https://rhinoledlights.com/pages/help/install>



RGB halo lights must be connected to the included **VOLTAGE REGULATOR**, which is then connected to the bluetooth controller.

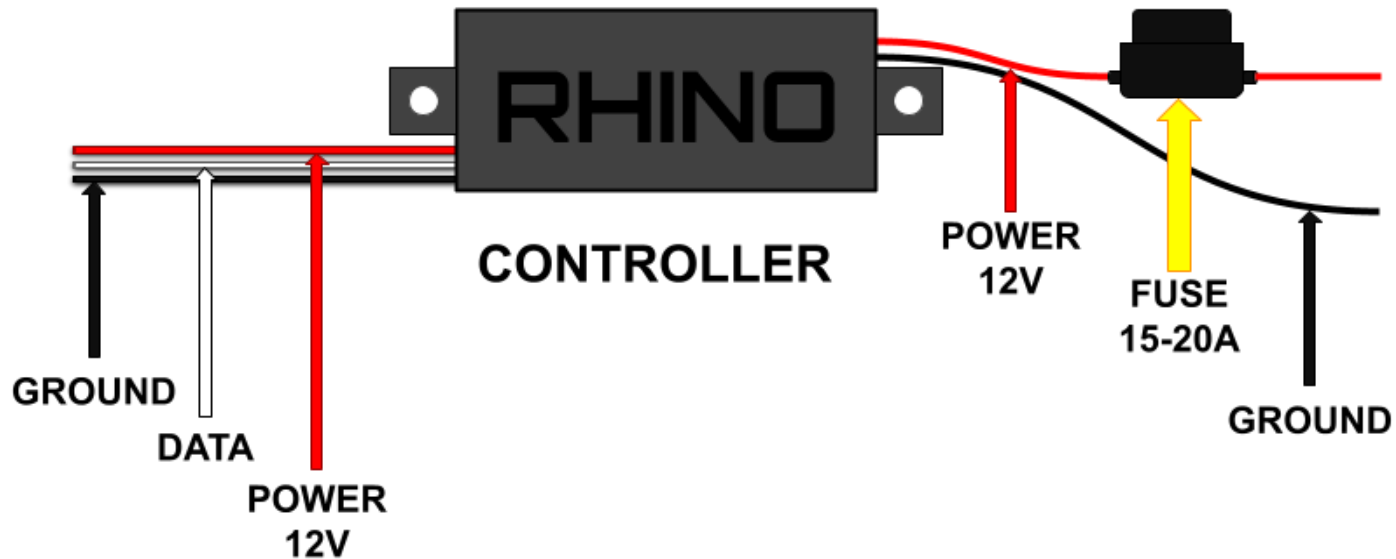
**DO NOT** wire the halo directly to the controller.

Unless specified, only connect **ONE HALO PER VOLTAGE REGULATOR**.

**DO NOT** connect other components to the voltage regulator.

**DO NOT** pull/yank on the wire connected to the halo or bend it near the solder joint.

Bending the wire at the solder joint at angles over 60° can potentially cause connection issues and weakening of the solder joint



### Bluetooth Controller:

Our bluetooth controller works with all of our RGB or RGB+W products. (note: RGB and RGB+W lights cannot be used together on the same controller).

You only need **1** bluetooth controller to run multiple types and amounts of our RGB/RGB+W lights and sync them together. To control lights separately (color, pattern, etc.) another controller is required. Driver settings are:

**RGB+W:** RGB TM1814

**RGB:** GRB WS8211

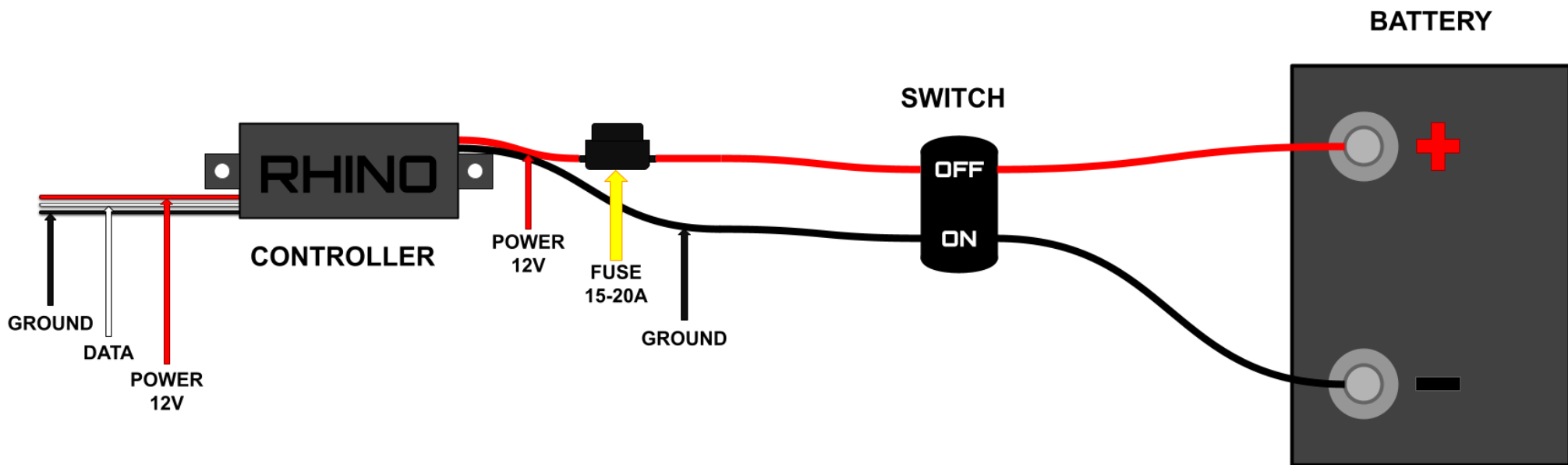
To download the LEDChord app, use the following QR codes:

**Android**



**iOS**

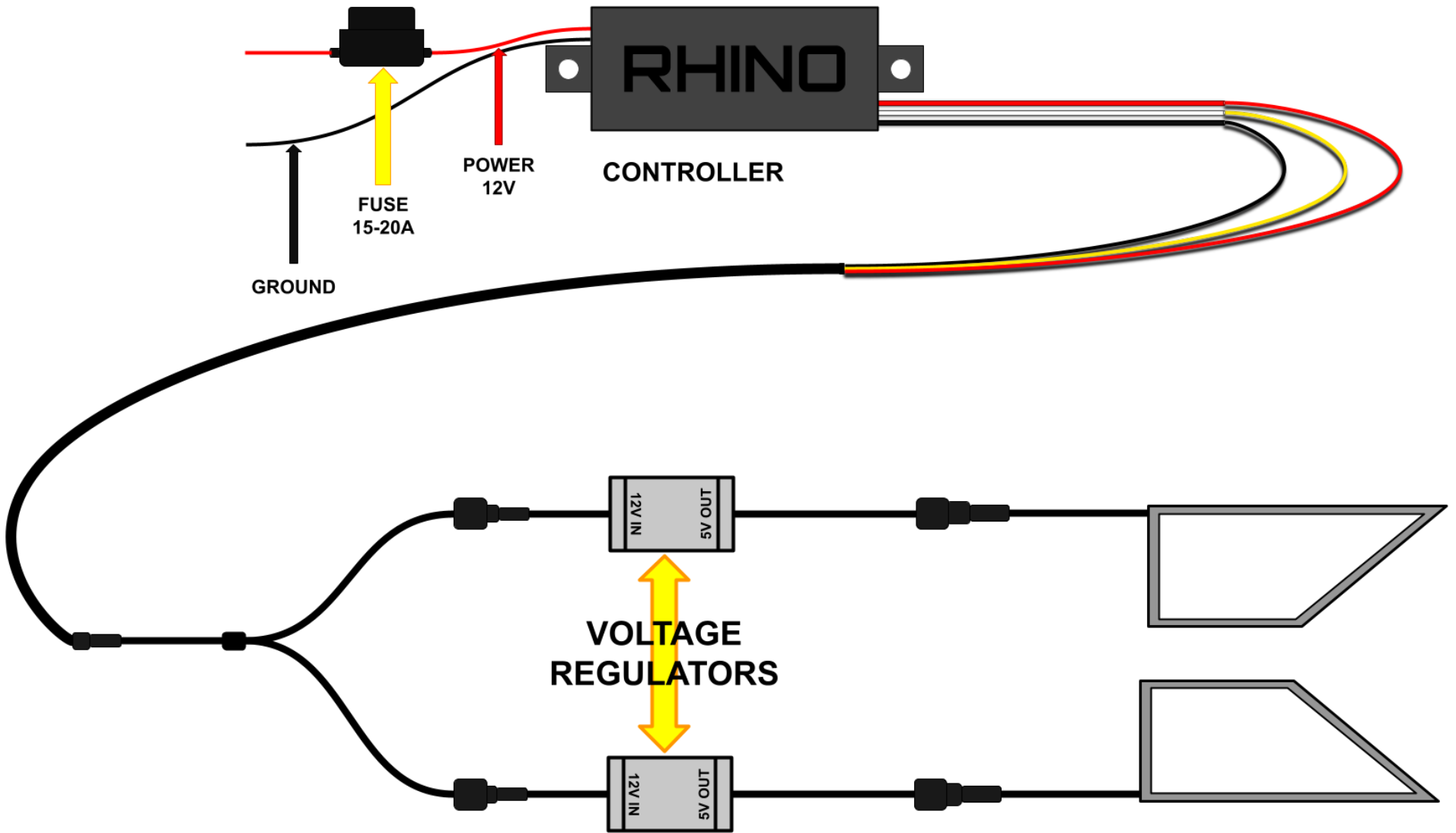


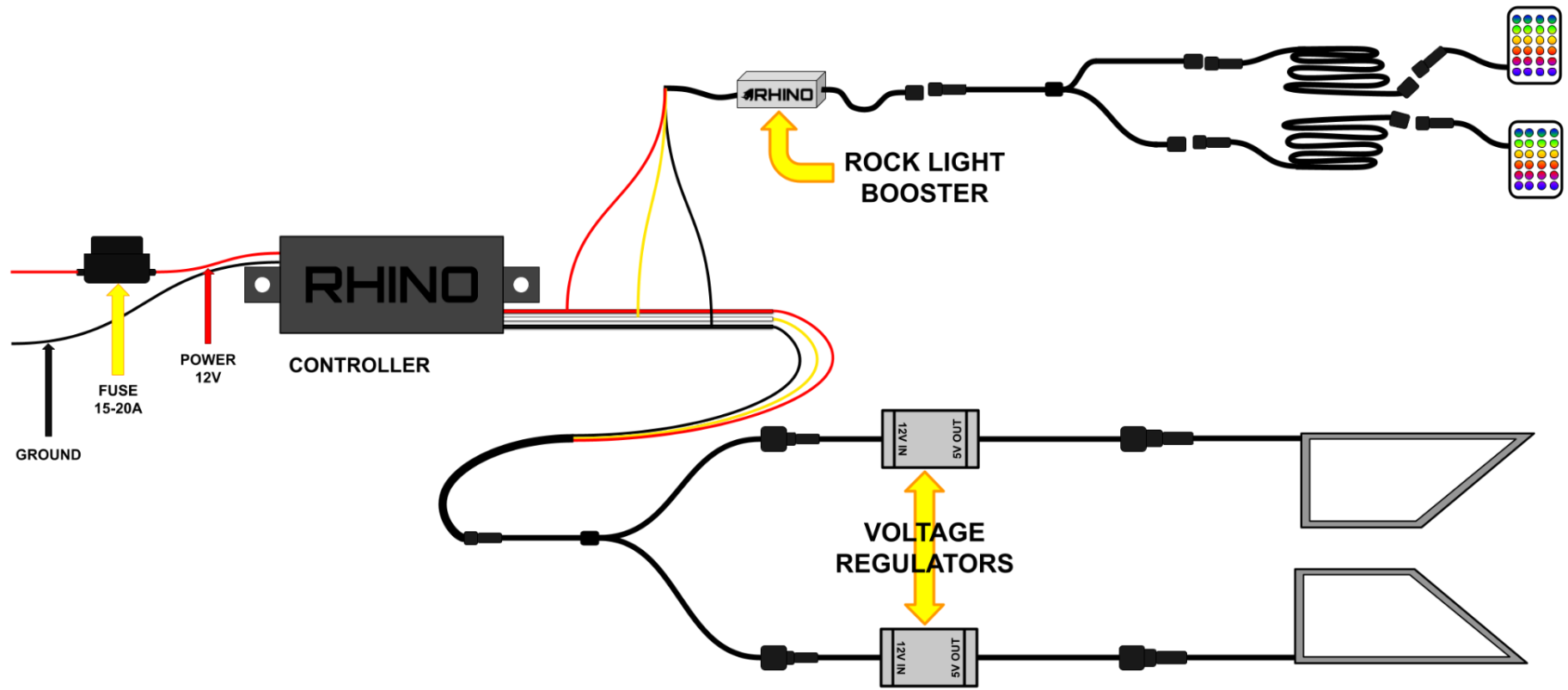


The controller, when connected directly to a power source, will constantly draw a small amount of power to broadcast its bluetooth signal.

**To prevent this from potentially draining batteries when not in use**, you can either disconnect the controller from the battery or install a single pole, single throw (SPST) switch to control power flow to the controller.

**Note: Switch pinouts may differ between brands and manufacturers, follow manufacturers' instructions for your specific switches when wiring and connecting them.**





## **PLEASE NOTE:**

**RGB, RGB+W, rock lights/whips/halos, and Diamond Duo rock lights cannot be intermixed.**

**When adding in wire for any reason, be sure to use the appropriate gauge for the load that it will carry.**

**Do not install wires in places they can become pinched or be stepped on.**

**Check the condition of all lights, wires, solder joints, and connections periodically for any damage. Damaged wires and components can lead to electrical shorts and arcing.**

**For safety, solder all ground wires and connections first, before working with any voltage-bearing wires. Be sure to keep any open wires away from each other when power is connected. If not using any wires with raw ends, it is highly recommended that you cap the ends of the wires to prevent any accidental risk of shorting the wires.**