

AXION RGB+W Installation Guide

!!! READ BEFORE INSTALLATION !!!

**FAILURE TO FOLLOW THE INSTRUCTIONS CAN
RESULT IN DAMAGE TO THE PRODUCT AND VOIDING
OF WARRANTY**



Read all instructions before installing the product. For detailed instructions and videos, visit:



<https://rhinoledlights.com/pages/help/install>

!! CAUTION !!

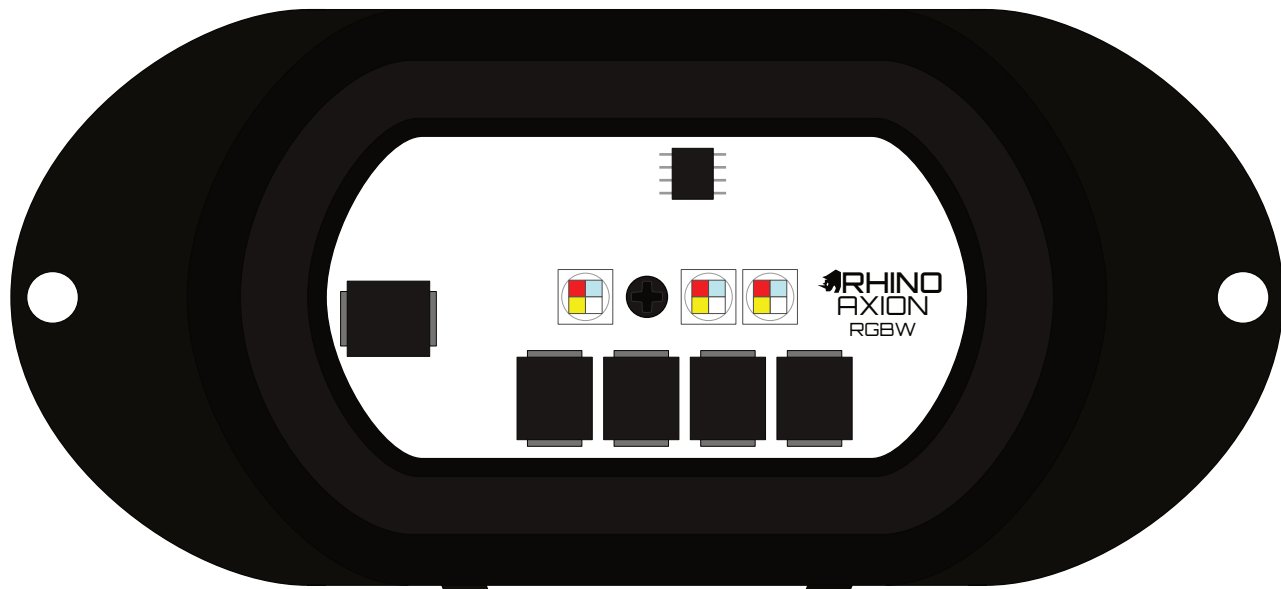
AXION RGB+W rock lights, when run on the highest brightness settings, can become HOT during prolonged use.

Mount the lights onto solid **METAL SURFACES ONLY**.



For easy installation, ultra-strong magnetic mounts are available for purchase at:



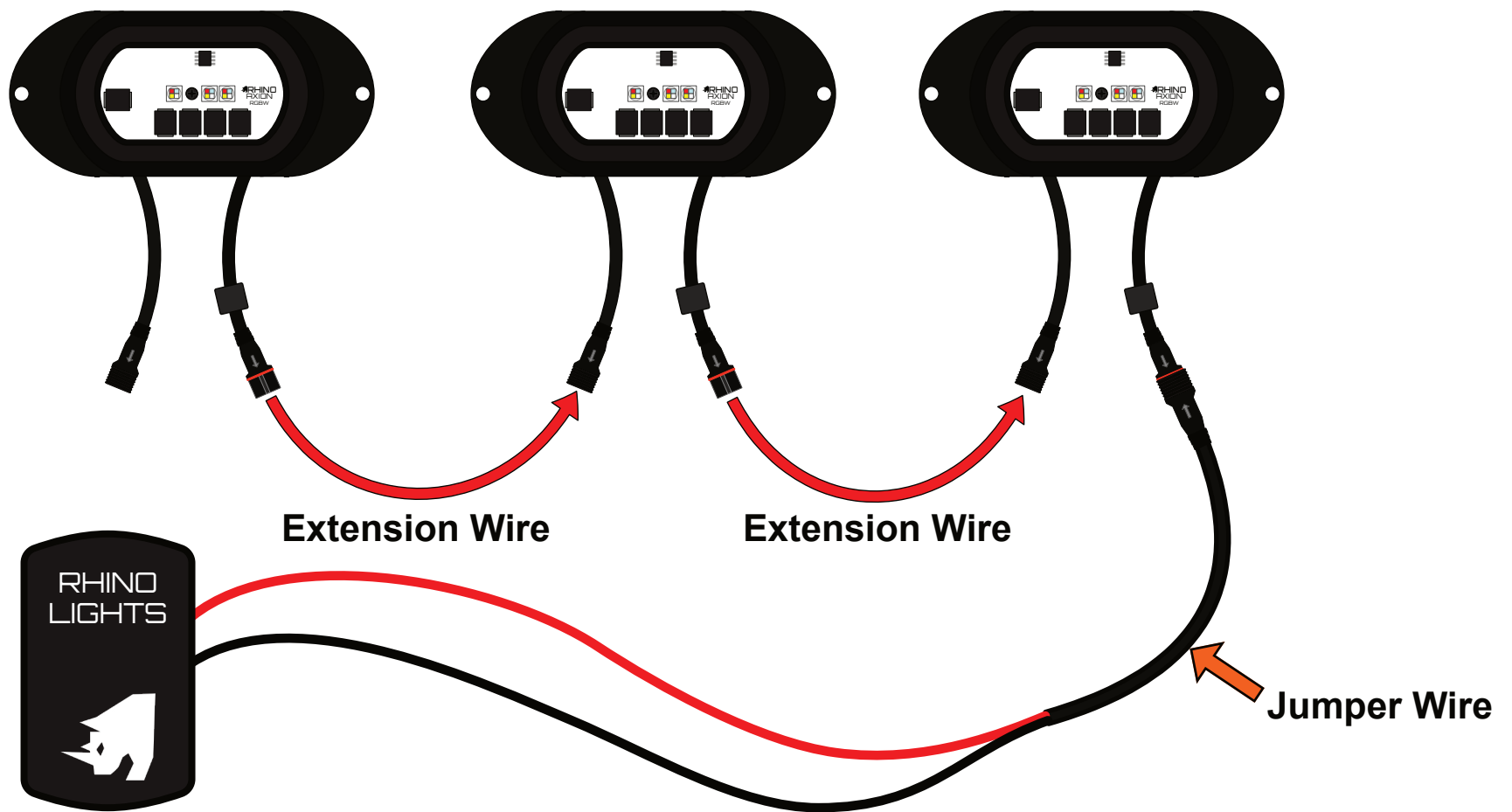


INPUT

OUTPUT

CONTROLLER

NEXT LIGHT



Daisy Chaining and Voltage Drop

A short 'jumper' cable with singular red and black wires and a plug is provided in built kits of multiple AXION lights.

Connect the plug to the output of the last light in a chain, then attach the red and black wires to, using wire of the **appropriate gauge**, the positive and negative terminals of your **switch**.

Do not connect the jumper cables directly to source power.



BLUETOOTH CONTROLLER

Our bluetooth controller works with all of our RGB or RGB+W products.
(note: RGB and RGB+W lights **cannot** be used together on the same controller).

You only need **1** bluetooth controller to run multiple lights in one setup, for example:
RGB rock lights, halos, and whips.

To control lights separately (color, pattern, etc.) another controller is required or inquire about our
CONNEX PRO addon board

Driver settings are:

RGB+W: RGB TM1814

RGB: GRB WS8211

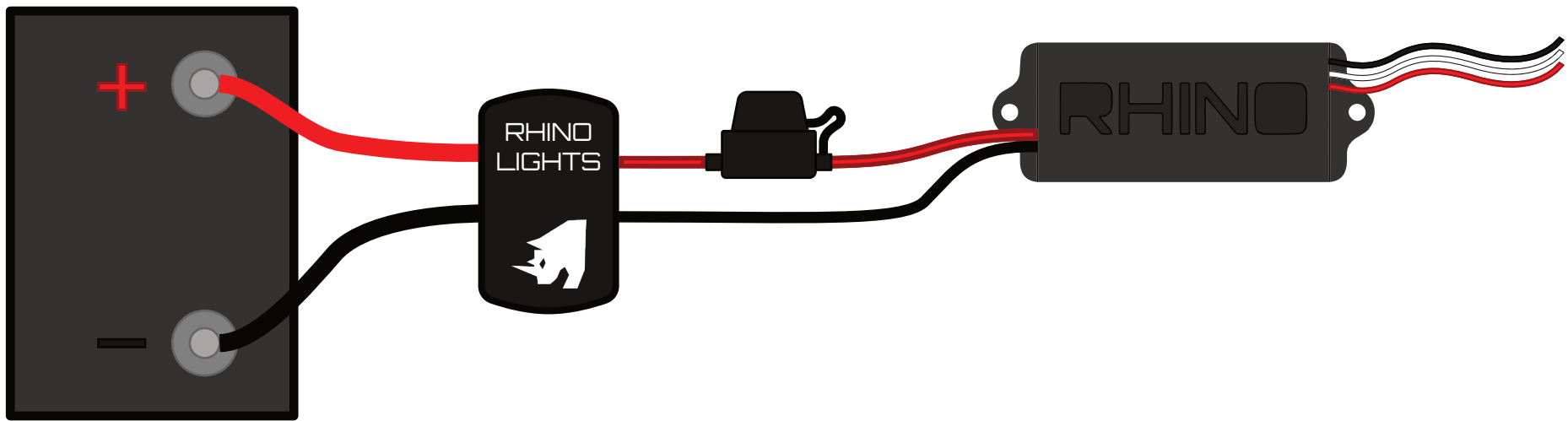
To download the LEDChord app, scan the following QR codes:

Android



iOS





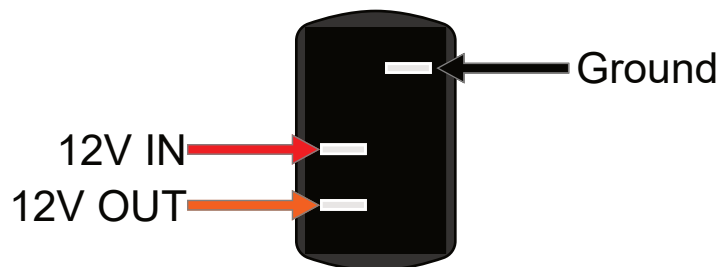
For turning a controller on and off, use a single pole, single throw switch (SPST).

Basic wiring instructions:

Connect a ground wire between the black wire from the controller to the switch ground pin then to the negative lead of your battery or power supply.

Connect the red fuse wire from the controller to the outgoing power (12V OUT) on the switch. Run a wire from the incoming power (12V IN) on the switch to the positive lead of your battery or power supply.

ON/OFF Switch Pinout Diagram



Note:

Switch pinouts may differ between different brands and manufacturers, follow manufacturers' instructions for your specific switches when wiring and connecting them.

PLEASE NOTE:

RGB, RGB+W, rock lights/whips/halos, and Diamond Duo rock lights cannot be controlled together in one setup.

Do not install wires in places they can become pinched or be stepped on.

When adding in wire for any reason, be sure to use the appropriate gauge for the load that it will carry.

Check the condition of all rock lights, wires, solder joints, and connections periodically for any damage. Damaged wires can lead to electrical shorts and arcing.

For safety, solder all ground wires and connections first, before working with any voltage-bearing wires. Be sure to keep any open wires away from each other when power is connected. If not using any wires with raw ends, it is highly recommended that you cap the ends of the wires to prevent any accidental risk of shorting the wires.