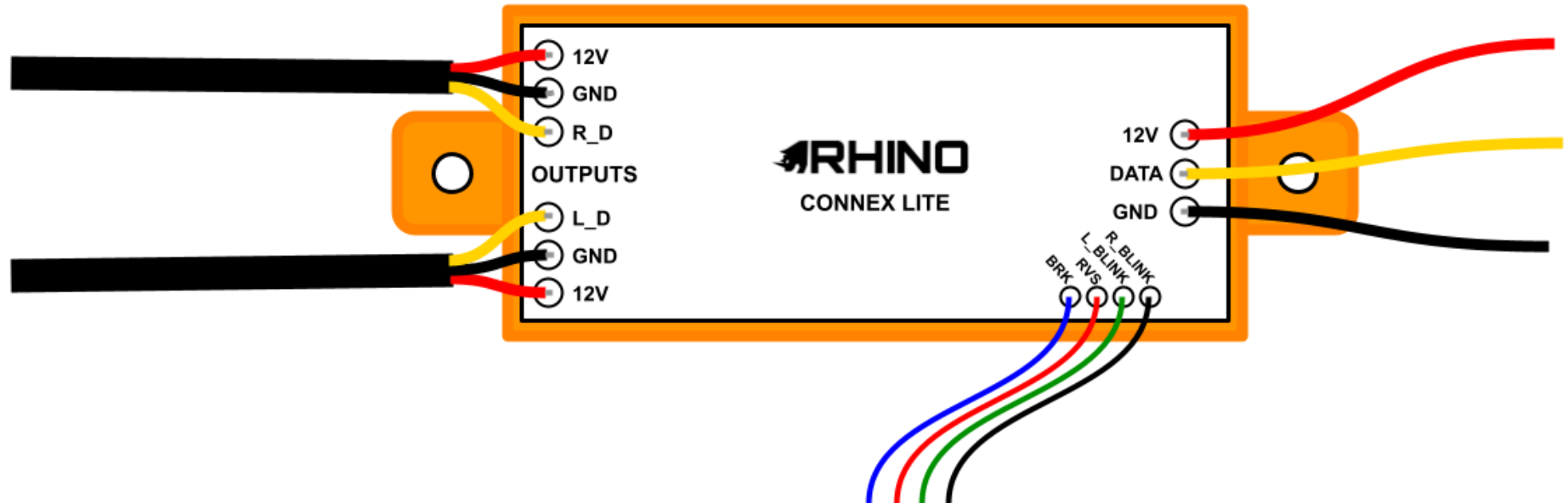


CONNEX LITE INSTALLATION GUIDE

!!! READ BEFORE INSTALLATION !!!

FAILURE TO FOLLOW THE INSTRUCTIONS CAN RESULT IN DAMAGE TO THE PRODUCT AND VOIDING OF WARRANTY

Read all instructions before installing the product. For detailed instructions and videos, visit <https://rhinoledlights.com/pages/help/install>



The Connex Lite brings turn signal, brake and reverse functionality to our RGB whips.

NOTE: RGB Bluetooth Controller is required for use.

It has 2 specifications:

Internal Blink: Uses the internal functionality to blink, 3rd party turn signal kit not required.

External Blink: Uses your 3rd party Turn signal kit (XTC, Corbin, Ryco, etc.) to blink

The type is imprinted onto the side of the Connex Lite housing:



This board has 2 output channels:

Left / Right Whip Light Only feature channel with Turn signal, braking and reversing functionality.

The Connex Lite has its own integrated turn signal system that you just need to connect a On / Off / On rocker switch to the Left and Right triggers to activate the turn signal feature.

Features:

Turn Signal Feature - Amber Turn Signal
Brake Feature - 5 Flashing than Solid Red braking feature
Reverse Mode - Full White Whip Lights

Trigger Wires:



BRK - Brake Trigger



RVS - Reverse Trigger



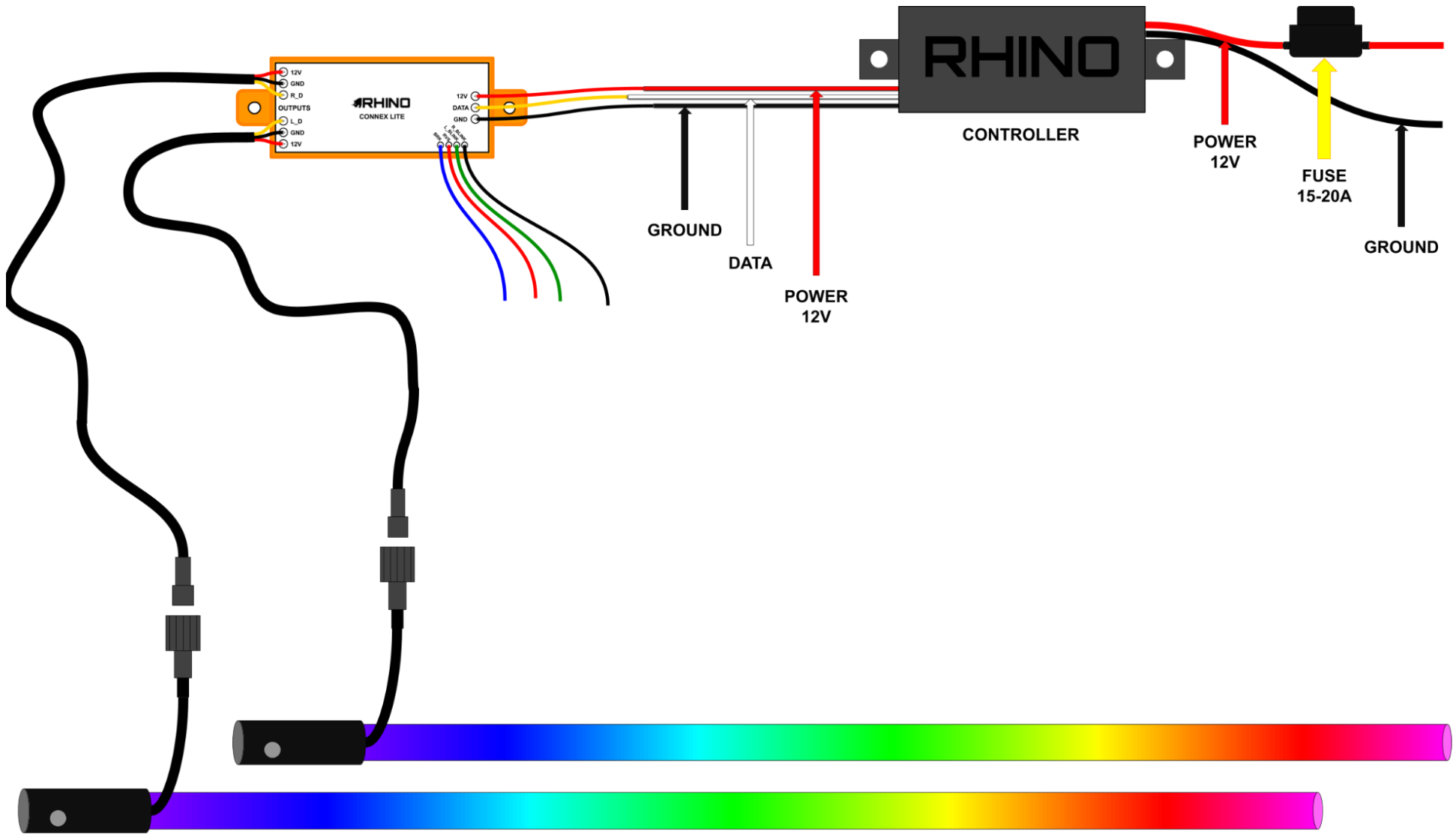
L_BLINK - Left Turn Signal Trigger

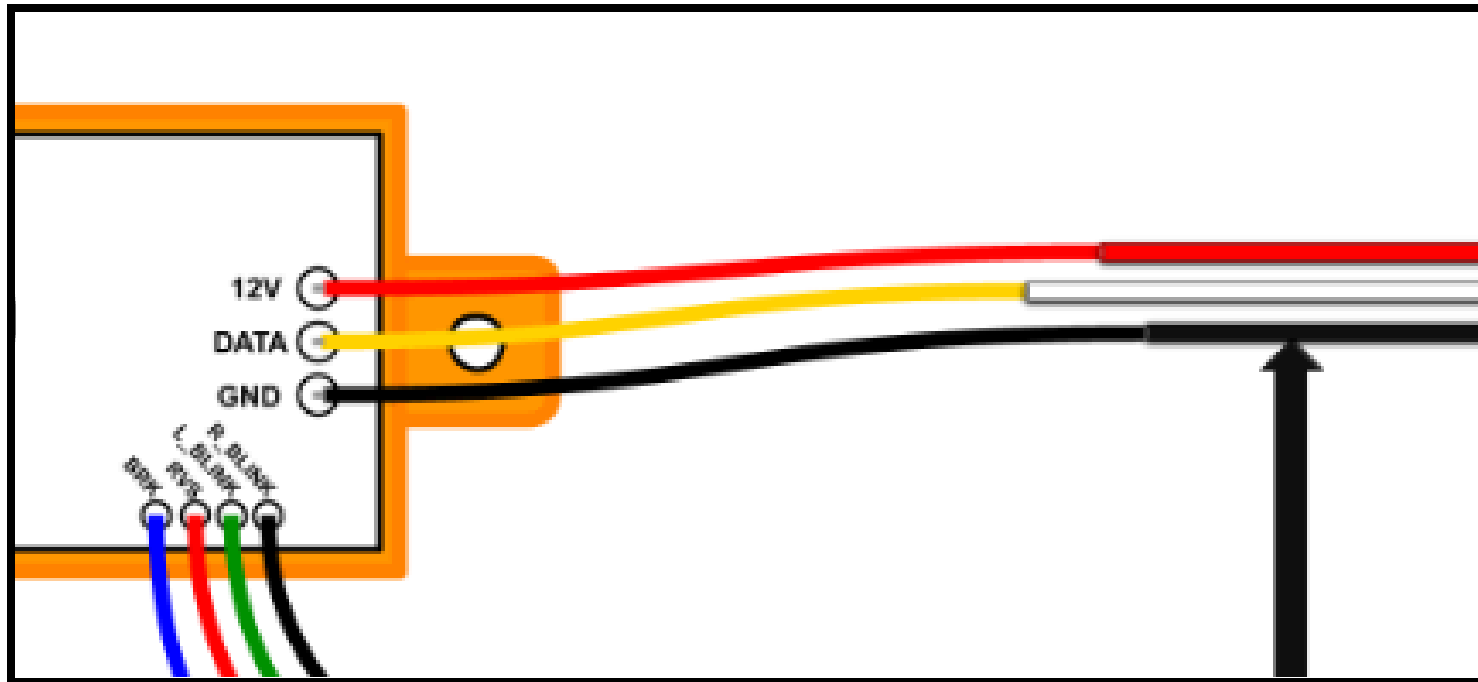


R_BLINK - Right Turn Signal Trigger

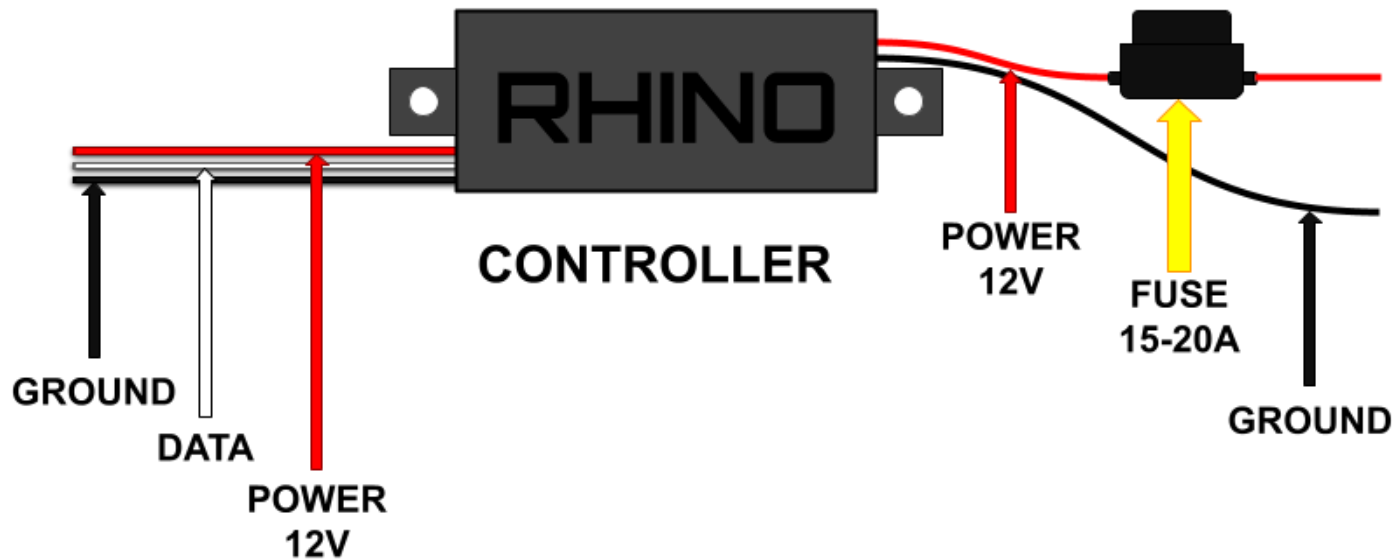
All triggers require 12V

For connecting trigger wires, refer to the manufacturer's manual and wiring schematic for your vehicle and/or 3rd party switch kit.





The **yellow DATA** wire from the Connex Lite is connected to the **white DATA** wire coming from the bluetooth controller.
12V and GND are connected to the like colored wires from the bluetooth controller.



Bluetooth Controller:

Our bluetooth controller works with all of our RGB or RGB+W products. (note: RGB and RGB+W lights cannot be used together on the same controller).

You only need **1** bluetooth controller to run multiple types and amounts of our RGB/RGB+W lights and sync them together. To control lights separately (color, pattern, etc.) another controller is required. Driver settings are:

RGB+W: RGB TM1814

RGB: GRB WS8211

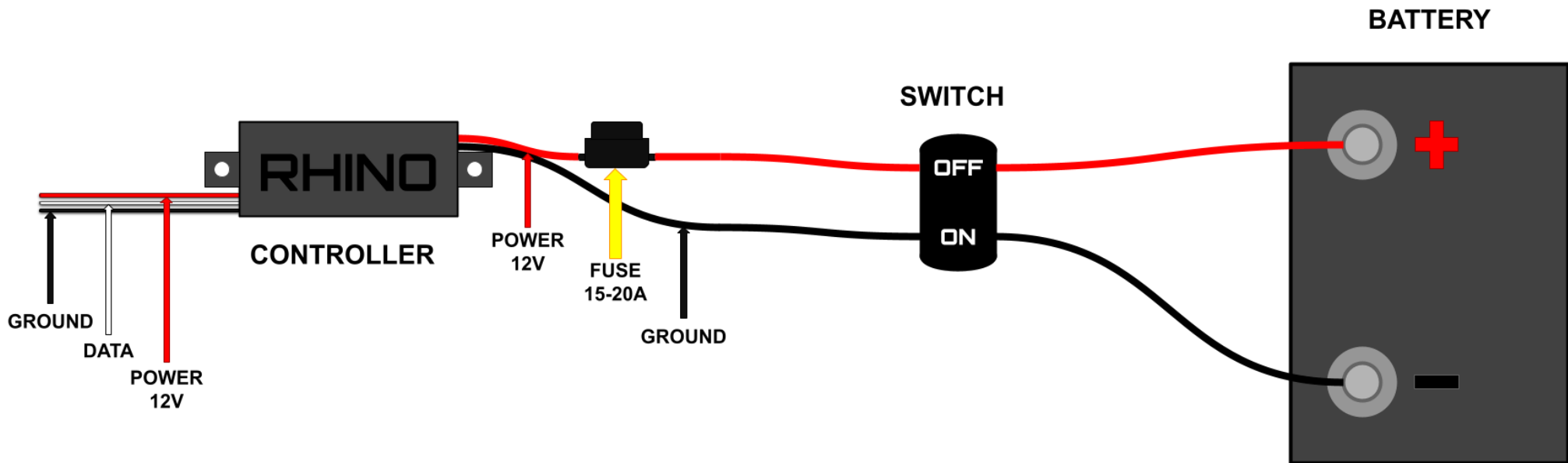
To download the LEDChord app, use the following QR codes:

Android



iOS





The controller, when connected directly to a power source, will constantly draw a small amount of power to broadcast its bluetooth signal.

To prevent this from potentially draining batteries when not in use, you can either disconnect the controller from the battery or install a single pole, single throw (SPST) switch to control power flow to the controller.

Note: Switch pinouts may differ between brands and manufacturers, follow manufacturers' instructions for your specific switches when wiring and connecting them.

PLEASE NOTE:

RGB, RGB+W, rock lights/whips/halos, and Diamond Duo rock lights cannot be intermixed.

Do not install wires in places they can become pinched or be stepped on.

When adding in wire for any reason, be sure to use the appropriate gauge for the load that it will carry.

Check the condition of all rock lights, wires, solder joints, and connections periodically for any damage. Damaged wires can lead to electrical shorts and arcing.

For safety, solder all ground wires and connections first, before working with any voltage-bearing wires. Be sure to keep any open wires away from each other when power is connected. If not using any wires with raw ends, it is highly recommended that you cap the ends of the wires to prevent any accidental risk of shorting the wires.